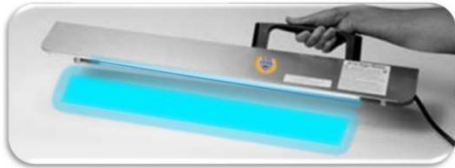


# TITAN-UV



**Can You Count All of the High Touch Surfaces?**

Now imagine disinfecting them all. Impossible?  
Well, not really with the  
**Rapid Titan-UV Handheld Sanitizer.**



## TITAN-UV

**Wow! Now you can sanitize your  
WOW's in less than 20 seconds  
...and that's just to start with.**

# *Rapid* TITAN-UV Handheld Sanitizer

***Rapid Sanitizing of Entire Nurse Stations, Countertops, Work Stations on Wheels, Stretchers, Exam Tables, Wheelchairs, Medical Monitors, Computer Keyboards, Non-Critical Items...***

The **Rapid Titan-UV™** packages a multi-patented UVC technology in a versatile, hand-held device designed for decontamination of surfaces infested with mold, bacteria or viruses.

The user simply passes the device closely over the contaminated surface area, allowing the energy from the very high output UVC Emitter to rapidly and effectively decontaminate surfaces in as little as 3 seconds. Our “pacer” sets the speed. An aluminum safety shield prevents direct exposure to UVC energy, while also adding reflectance that increases its effectiveness.

- Kills or inactivates surface microorganisms that contribute to poor IAQ and/or the spread of infectious disease, including: mold and mold spores, bacteria including MRSA, TB, E. coli, Listeria, Salmonella; C. diff spores, CRKP, VRE and all viruses including colds, flu and measles, HIV Retrovirus, Infectious Hepatitis, Norovirus ...
- Long service life – typically around 9,000 hours.

- Uses patented state-of-the-art solid-state electronic power supply for enhanced reliability and performance.
- Produces no ozone or other secondary contaminants – will not harm building occupants, equipment or furnishings.
- Portable, versatile and easy – just plug in and use. No installation required.
- Proven through independent testing to provide the highest output of any UVC device on the market, for the most effective germicidal control.
- A must have for emergency contamination of surfaces due to vomiting, blood, feces or microbial spills in a laboratory,
- Inexpensive to operate – uses approximately the same energy as a 75-watt light bulb.



**IDEAL FOR RAPID SANITIZING OF WHEELCHAIRS, WORK STATIONS ON WHEELS, NURSE STATIONS, COMPUTER KEYPADS, MONITORS, STRETCHERS, COUNTERTOPS...**

## TITAN-UV™ SPECIFICATIONS

**The UVC Emitter** and fixture is factory assembled and tested. Titan-UV consists of housing, power source, reflector, safety shield, six-foot power cord, easy-to-grip handle, Emitter sockets and Emitter.

**The housing** is constructed of 304 stainless steel. The reflector is constructed of heavy gauge, specular finished aluminum alloy with approximately 85% reflectance at 254nm wavelength. The safety shield is constructed with highly polished, heavy gauge aluminum to enhance the reflectance of the UVC energy. The six-foot power cord is UV-resistant. All components are in one integral assembly to maximize serviceability.

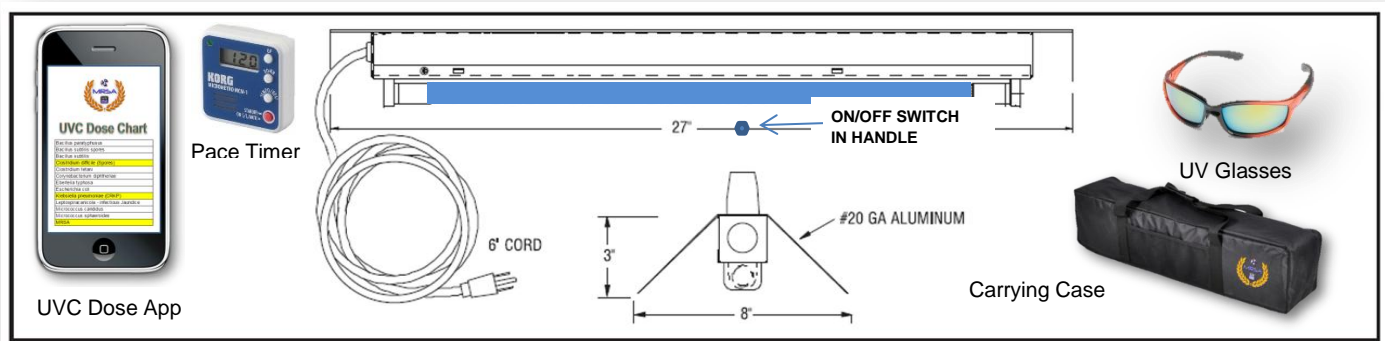
**The power source** is a Class P, electronic, rapid start type with a power factor greater than 0.95 and a power conversion of greater than 75%. The power supply design includes RF and EMI suppression. The power supply has been designed to maximize photon production, irradiance and

reliability in cold or moving airstreams of 35-170° F, 100% RH and up to 2000 fpm velocity. The fixture is currently available in 115 VAC, 50/60 Hertz, single phase.

**The Emitter sockets** are medium bi-pin, double click safety, twist lock type and are constructed of UVC-resistant polycarbonate.

**The Emitter tube** is a very high output, hot cathode, T5 diameter, medium bi-pin type that produces broadband UVC of 250-260 nm. Each tube produces the specified output at up to 2000 fpm velocity and air temperatures of 35-170° F. It produces no ozone or other secondary contaminants.

**Independent testing:** Unit has been tested by an independent test laboratory in accordance with the general provisions of IES Lighting Handbook, 1981 Applications Volume, and has been verified through independent testing to provide output per inch of not less than 10  $\mu\text{W}/\text{cm}^2$  at 1 meter.



**561-531-9398**  
[www.mrsa-uv.com](http://www.mrsa-uv.com)